



WATER/METHANOL PUMP DRIVER INSTALLATION INSTRUCTIONS

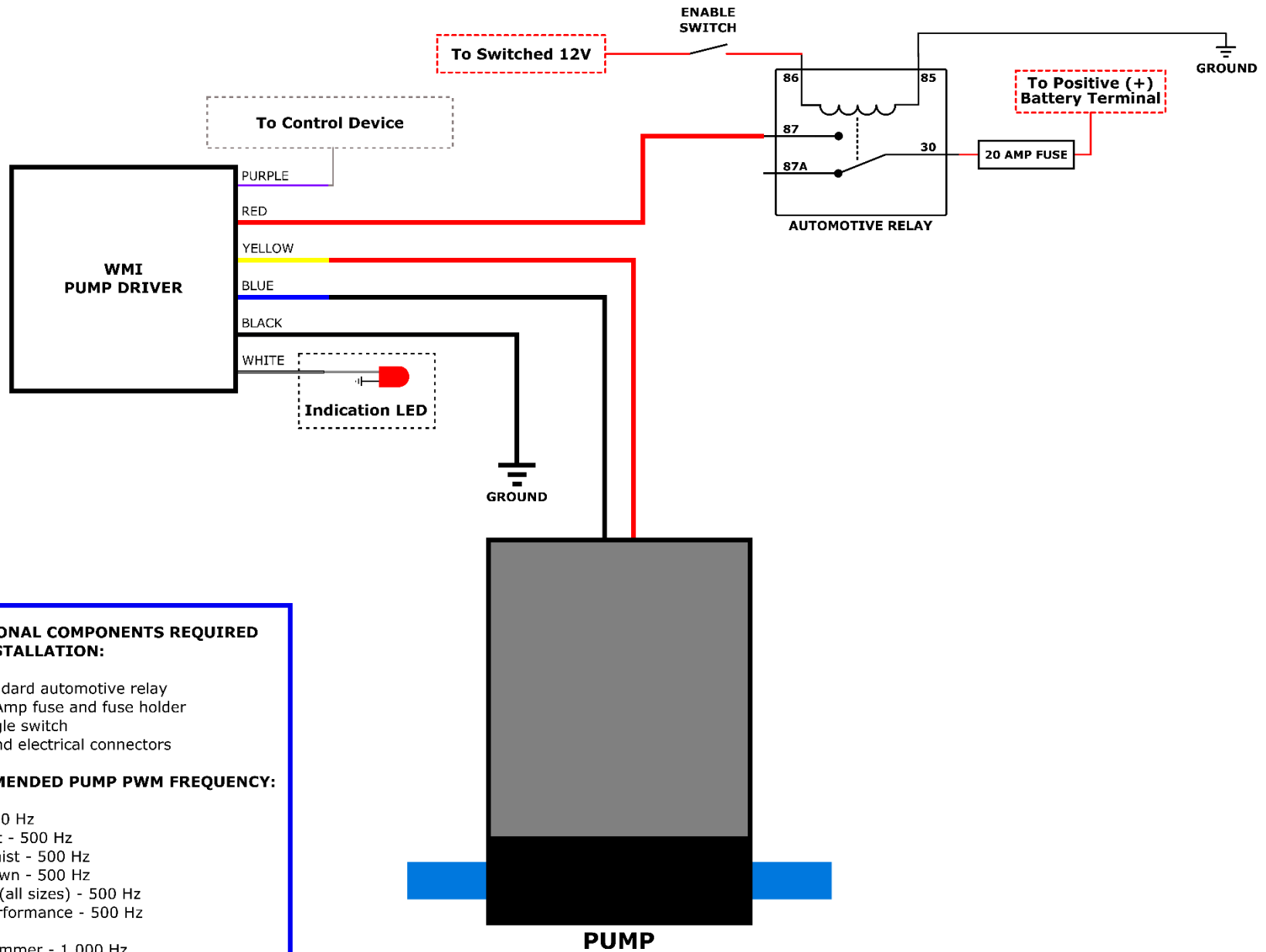
Rev 1.0.0

The Water/Methanol Injection (WMI) Pump Driver has been specifically designed to provide optimal pulse width modulated (PWM) control of water/methanol injection pumps. Each driver can provide a single WMI pump with precision PWM control at frequencies up to 1,000 Hz.

The WMI Pump Driver is compatible with all WMI pumps including AEM, Aquamist, Alky Control, Cooling Mist, Devil's Own, ProMeth (PM 75, PM115, and PM 190), Snow Performance, and the USRT Hammer.

<p>INCLUDED COMPONENTS</p> <ul style="list-style-type: none">• Water/Methanol Injection Pump Driver• 12 V Diffused Indication LED (Red, Green Blue) <p>CONTROL DEVICE COMPATIBILITY</p> <ul style="list-style-type: none">• Cortex EBC• Any ECU or other control device with outputs that are 12 V tolerant and able to sink at least 30 milliamps. <p>ACTIVATION METHOD</p> <ul style="list-style-type: none">• The WMI Pump Driver is activated by pulling the control input (purple wire) to ground.	<p>CONTROL INPUT PULL-UP RESISTANCE</p> <ul style="list-style-type: none">• 500 Ω pull-up to supply voltage <p>MAXIMUM CURRENT</p> <ul style="list-style-type: none">• 20 Amps <p>MAXIMUM PWM FREQUENCY</p> <ul style="list-style-type: none">• 1,000 Hz <p>SIZE</p> <ul style="list-style-type: none">• 66.5 mm x 50 mm x 40 mm (2.62 in x 1.97 in x 1.58 in)
--	--

GENERAL WIRING DIAGRAM



ADDITIONAL COMPONENTS REQUIRED FOR INSTALLATION:

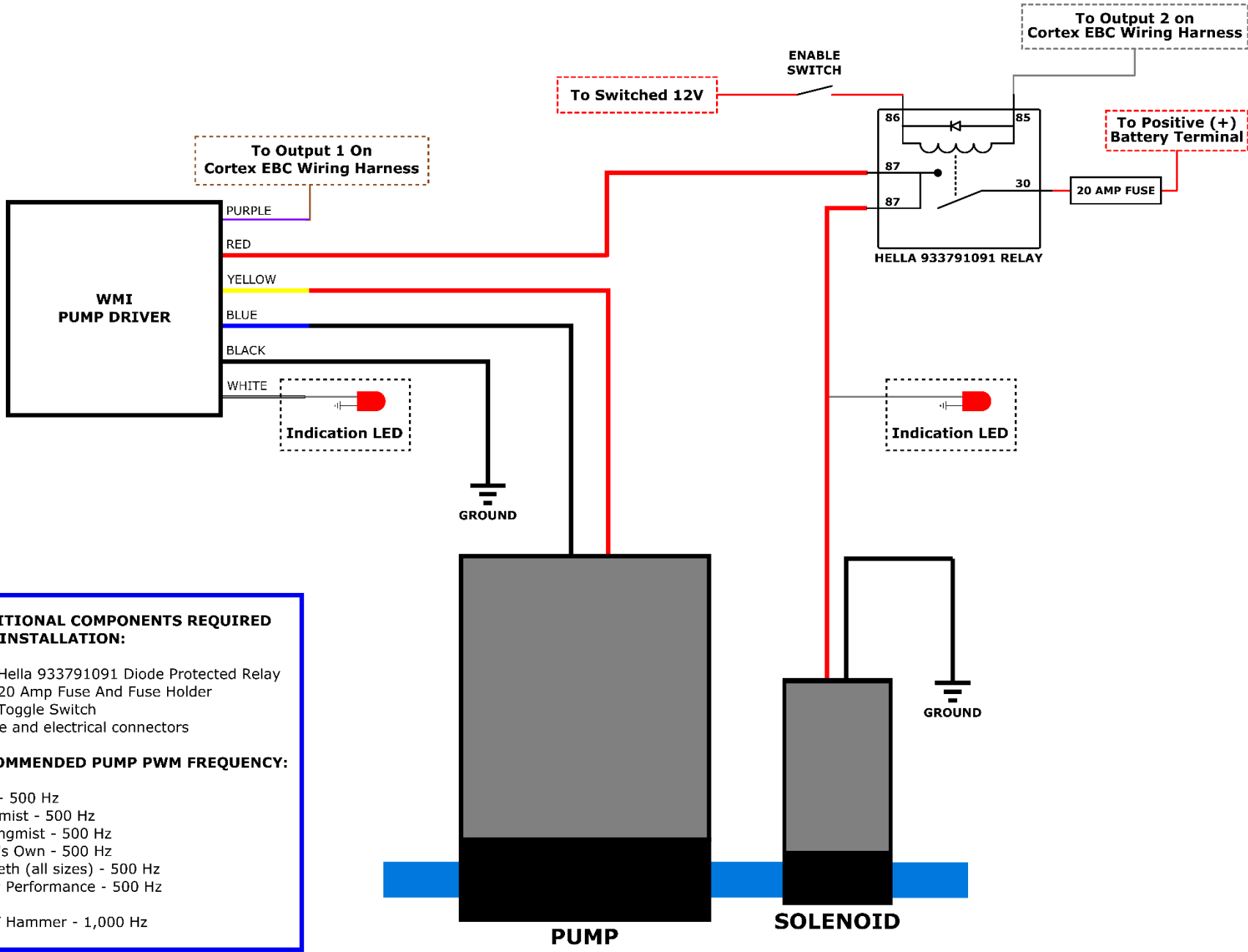
- 1x standard automotive relay
- 1x 20 Amp fuse and fuse holder
- 1x toggle switch
- Wire and electrical connectors

RECOMMENDED PUMP PWM FREQUENCY:

- AEM - 500 Hz
- Aquamist - 500 Hz
- Coolingmist - 500 Hz
- Devil's Own - 500 Hz
- ProMeth (all sizes) - 500 Hz
- Snow Performance - 500 Hz

USRT Hammer - 1,000 Hz

CORTEX EBC WMI PUMP + ANTI-SIPHON SOLENOID WIRING DIAGRAM



ADDITIONAL COMPONENTS REQUIRED FOR INSTALLATION:

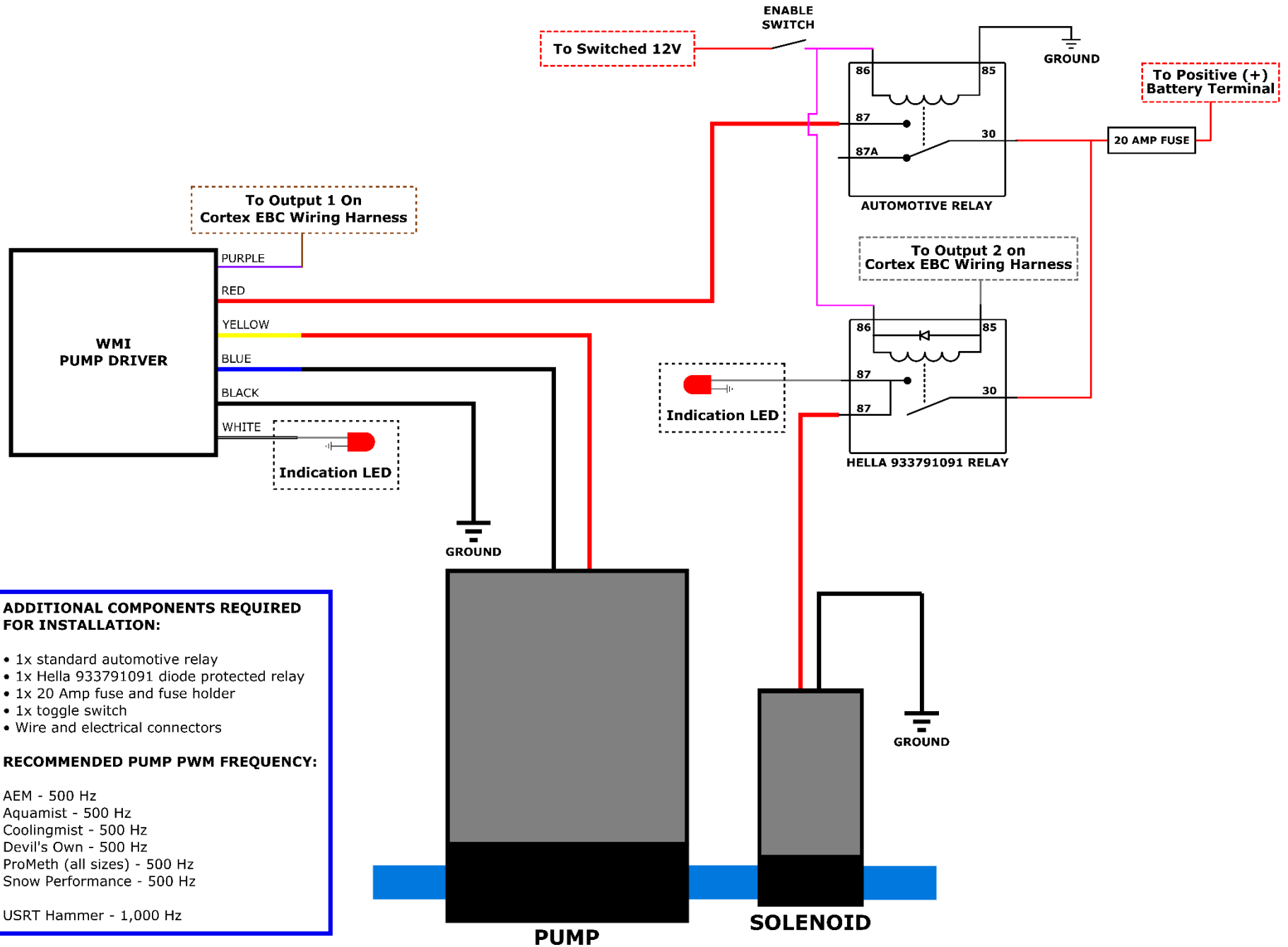
- 1x Hella 933791091 Diode Protected Relay
- 1x 20 Amp Fuse And Fuse Holder
- 1x Toggle Switch
- Wire and electrical connectors

RECOMMENDED PUMP PWM FREQUENCY:

- AEM - 500 Hz
- Aquamist - 500 Hz
- Coolingmist - 500 Hz
- Devil's Own - 500 Hz
- ProMeth (all sizes) - 500 Hz
- Snow Performance - 500 Hz

USRT Hammer - 1,000 Hz

CORTEX EBC WMI PUMP + SECOND STAGE SOLENOID WIRING DIAGRAM



ADDITIONAL COMPONENTS REQUIRED FOR INSTALLATION:

- 1x standard automotive relay
- 1x Hella 933791091 diode protected relay
- 1x 20 Amp fuse and fuse holder
- 1x toggle switch
- Wire and electrical connectors

RECOMMENDED PUMP PWM FREQUENCY:

AEM - 500 Hz
 Aquamist - 500 Hz
 Coolingmist - 500 Hz
 Devil's Own - 500 Hz
 ProMeth (all sizes) - 500 Hz
 Snow Performance - 500 Hz
 USRT Hammer - 1,000 Hz